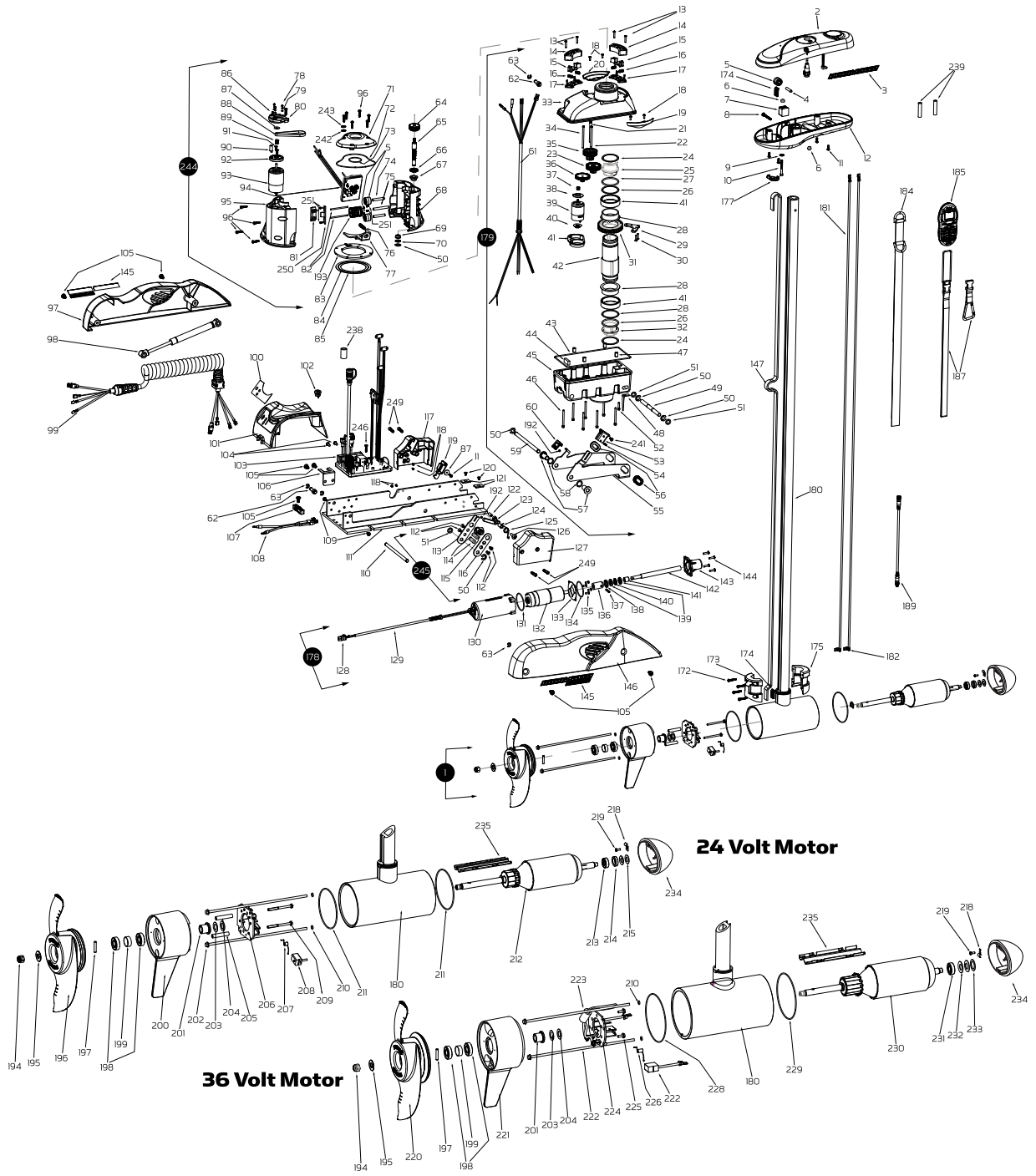




MINN KOTA®

RIPTIDE ULTERRA



MINN KOTA®

W W W . N A V I C O M . F R





MINN KOTA®

RIPTIDE ULTERRA

| ITEM | QTY | PART NUMBER | DESCRIPTION |
|------|-----|-------------|--------------------------------------|
| 1 | 1 | 2777030 | 24 V MOTOR 54" SW |
| | 1 | 2777031 | 24 V MOTOR 60" SW |
| | 1 | 2777032 | 24 V MOTOR 54" SW, "M" (EUROPE) |
| | 1 | 2777033 | 24 V MOTOR 60" SW "M" (EUROPE) |
| | 1 | 2777092 | 36 V MOTOR 60" SW |
| | 1 | 2777094 | 36 V MOTOR 72" SW |
| 2 | 1 | 2990209 | HEAD ASSY, SW, IPILOT 1.5 |
| 3 | 2 | 2205513 | DECAL, CONTROL BOX SIDE, SW |
| 4 | 1 | 2202635 | PIN-DOWEL, 1/4" OD SS |
| 5 | 3 | * | PULLEY, BELT, TOP |
| 6 | 2 | 2333101 | NUT-HEX #10-24 |
| 7 | 1 | 2202800 | BLOCK, BELT |
| 8 | 1 | 2332102 | SCREW-#10-24 X 1-3/4 |
| 9 | 1 | 2201721 | WASHER, #10 SAE, SS |
| 10 | 1 | 2203411 | SCREW-#10-24, SHCS, SS |
| 11 | 6 | 2372100 | SCREW, #8-18 X 5/8 THD |
| 12 | 1 | 2202507 | CONTROL BOX BOTTOM, SW |
| 13 | 4 | 2203406 | SCREW, #6-32 X 0.75 PPH, SS |
| 14 | 2 | * | BLOCK-BRUSH, SLIPRING |
| 15 | 2 | * | BRUSH SHUNT ASSY |
| 16 | 4 | * | SPRING COMPRESSION, BRUSH |
| 17 | 2 | * | INSULATOR, BLOCK-BRUSH |
| 18 | 4 | 2332103 | SCREW-#6-20 X 3/8 THD, SS |
| 19 | 1 | 2205906 | RIGHT STEERING ADAPTER, SW |
| 20 | 1 | 2205901 | LEFT STEERING ADAPTER, SW |
| 21 | 1 | 2302615 | SHAFT-GEAR, INTERMED. CLUSTER |
| 22 | 1 | 2302620 | SHAFT-GEAR, THIRD CLUSTER |
| 23 | 1 | 2302250 | GEAR & PINION, DR. HSG, STAGE 3 |
| 24 | 2 | 2321704 | WASHER-THRUST, STEERING |
| 25 | 1 | 2201510 | COLLAR-DRIVE, OUTPUT TUBE |
| 26 | 2 | 2324608 | O-RING, 224, PD PRO STEERING HOUSING |
| 27 | 2 | 2321720 | SHIM, O-RING |
| 28 | 2 | 2327314 | BUSHING, PRO STEERING SW |
| 29 | 1 | 2201920 | BRACKET-SENSOR, STEERING HSG |
| 30 | 2 | 2303412 | SCREW-#6-20 X 5/8 SELF TAP |
| 31 | 1 | 2772200 | GEAR-OUTPUT |
| 32 | 1 | 2321510 | COLLAR-DRIVE, BOTTOM |
| 33 | 1 | * | WHITE STEERING HSG COVER, SW |
| 34 | 1 | * | SHAFT-GEAR, FIRST CLUSTER |
| 35 | 1 | 2302255 | GEAR & PINION, STAGE 4 |
| 36 | 1 | 2302245 | GEAR & PINION, STAGE 2 |
| 37 | 1 | 2302240 | GEAR & PINION, STAGE 1 |
| 38 | 1 | * | CAP, MOTOR BOTTOM |
| 39 | 1 | * | MOTOR-STEERING PD/AP 36V |
| | 1 | * | MOTOR-STEERING PD/AP 24V |
| 40 | 1 | * | CAP, MOTOR TOP |
| 41 | 1 | 2327315 | BUSHING, ALUMIN. SPACER ST |
| 42 | 1 | 2322031 | TUBE-OUTPUT, SALTWATER |
| 43 | 1 | 2324604 | O-RING, CASE SEAL |
| 44 | 1 | 2308601 | BREATHER FILTER, DR. HSG |
| 45 | 1 | * | STEERING HSG, BTM, WHITE |
| 46 | 7 | 2323408 | SCREW-#8-32 X 2.0 SHCS SS |
| 47 | 4 | * | PIN-ROLL 5/16" X 1/2" |
| 48 | 2 | 2322702 | SPRING, LATCH PIN SS |
| 49 | 1 | 2202626 | PIN-LATCH |

| ITEM | QTY | PART NUMBER | DESCRIPTION |
|------|-----|-------------|------------------------------------|
| 50 | 5 | * | E-RING 3/8 DIA. SHAFT |
| 51 | 3 | 2321702 | WASHER-FLAT .375 NYLON |
| 52 | 1 | 2323410 | SCREW-#8-32 X .75 SHCS SS |
| 53 | 1 | 2770100 | KNOB, TILT RELEASE |
| 54 | 1 | * | SCREW-#6-32 X .625" SET SS |
| 55 | 1 | 2201910 | BRACKET, TILT, SS |
| 56 | 2 | 2207305 | BUSHING, LATCH PIN |
| 57 | 2 | 2207310 | BUSHING, STRG HSG PIVOT |
| 58 | 2 | 2201730 | WASHER-FLAT, .56 ID NYLON |
| 59 | 1 | 2202601 | PIN-PIVOT, DRIVE HOUSING, SS |
| 60 | 1 | 2208601 | HOLDER-MAGNET |
| 61 | 1 | * | LEADWIRE, STEERING MTR, 8 COND. |
| 62 | 2 | 2202903 | STANDOFF, OIL DAMPENR, SS |
| 63 | 2 | 2263006 | E-CLIP, 5/16 |
| 64 | 1 | * | PULLEY, TRIM JACKSHAFT |
| 65 | 1 | * | WORM SHAFT ASSY W/ PULLEY |
| 66 | 1 | * | BEARING-THRUST, NEEDLE |
| 67 | 1 | * | BUSHING, TRIM, TOP |
| 68 | 1 | * | HOUSING-TRIM, GEAR SIDE |
| 69 | 1 | * | BUSHING, TRIM, BOTTOM |
| 70 | 1 | * | WASHER-THRUST, 3/8" |
| 71 | 1 | 2206410 | COVER, TRIM HOUSING |
| 72 | 1 | 2204601 | O-RING, TRIM HOUSING |
| 73 | 1 | 2204600 | O-RING, TRIM HSG COVER |
| 74 | 2 | * | PIN, BELT PULLEY |
| 75 | 1 | * | PIN, 2"x1/4" |
| 76 | 1 | * | SPRING, 5/16" OD, SS |
| 77 | 1 | * | HANDLE, TRIM HSG RELS, SS |
| 78 | 3 | 2053422 | SCREW-M3-5 X 10 PPH, ZP |
| 79 | 3 | 2051710 | LOCKWASHER-SPLIT, 3MM, ZP |
| 80 | 1 | 2206400 | PLATE, MOTOR |
| 81 | 1 | 2202825 | BLOCK, TUBE DRIVE |
| 82 | 2 | 2202636 | PIN-DOWEL, 1/8" |
| 83 | 1 | 2208620 | CARRIER, SLIPRING CONTACTS |
| 84 | 1 | * | CONTACT, SLIPRING SMALL |
| 85 | 1 | * | CONTACT, SLIPRING LARGE |
| 86 | 1 | 2053420 | SCREW-SET-#8-32 X 1/4" SS |
| 87 | 1 | * | WASHER-#6 .625 OD |
| 88 | 1 | 2200810 | BELT-TRIM |
| 89 | 1 | * | PULLEY, LIFT MOTOR, MACHINED |
| 90 | 1 | 2058411 | TENSIONER-BELT |
| 91 | 2 | * | SCREW-M4 X 10 PPH, ZP |
| 92 | 1 | * | PLATE-ADAPTER, LIFT MOTOR |
| 93 | 1 | * | MOTOR, TRIM |
| 94 | 1 | * | BOARD ASSY, WIRELESS TRIM |
| | 1 | * | BOARD ASSY, WIRELESS TRIM (EUROPE) |
| 95 | 1 | * | HOUSING-TRIM, MOTOR SIDE, WHITE |
| 96 | 11 | 3393481 | SCREW, #10X.75 HI-LO, SS, PPH |
| 97 | 1 | 2203906 | SIDEPLATE, LEFT, WHITE |
| 98 | 1 | 2208801 | DAMPER, HYBRID, 80#, SS |
| | 1 | 2208803 | DAMPER, HYBRID, 112#, SS |
| 99 | 1 | 2991271 | COIL CORD ASSY 54/60" |
| | 1 | 2991275 | COIL CORD 72" |
| 100 | 1 | 2205601 | DECAL, B. METER/CON/PWR SW WHITE |
| 101 | 1 | 2206511 | HOUSING-CONTROL, WHITE |

MINN KOTA®

WWW.NAVICOM.FR





MINN KOTA®

RIPTIDE ULTERRA

| ITEM | QTY | PART NUMBER | DESCRIPTION |
|------|-----|-------------|---|
| 102 | 1 | 2202910 | STRAIN RLF, HEYCO SR 6N3-4 |
| 103 | 1 | 2774080 | MAIN CONTROL BOARD, 24V, 60", N AMERICA |
| | | 2774090 | MAIN CONTROL BOARD, 24V, 54", N AMERICA |
| | | 2774082 | MAIN CONTROL BOARD, 36V, 60", N AMERICA |
| | | 2774091 | MAIN CONTROL BOARD, 36V, 72", N AMERICA |
| | | 2774084 | MAIN CONTROL BOARD, 24V, 60", EUROPE |
| | | 2774092 | MAIN CONTROL BOARD, 24V, 54", EUROPE |
| | | 2774086 | MAIN CONTROL BOARD, 36V, 60", EUROPE |
| | | 2774093 | MAIN CONTROL BOARD, 36V, 72", EUROPE |
| 104 | 2 | 2323406 | SCREW-#10-24 X .50 CRPH SS |
| 105 | 7 | 2323405 | SCREW-#1/4-20 X 1/2" T-L SS |
| 106 | 1 | 2200820 | CLIP-CORD, SS |
| 107 | 1 | 2321310 | STRAIN RELIEF |
| 108 | 1 | 2090651 | LEADWIRE, 10 GA |
| 109 | 2 | 2383447 | SCREW-#10-32 X 3/8" PPH SS |
| 110 | 1 | 2202605 | PIN, ACTUATOR, SS |
| 111 | 1 | 2201902 | BASE, MACHINED, SW |
| 112† | 4 | 2203410 | SCREW #10-32 X .5" |
| 113† | 1 | 2204200 | ARM-LIFT, INNER, SS |
| 114† | 2 | 2202901 | STANDOFF, LIFT ARM |
| 115† | 1 | 2203100 | NUT, TILT MOTOR |
| 116† | 1 | 2204205 | ARM-LIFT, OUTER, SS |
| 117 | 1 | 2203916 | RAMP-MOTOR, LEFT 80# |
| | | 2203915 | RAMP-MOTOR, LEFT 112# |
| 118 | 10 | 2373440 | SCREW-#4-24 X 1/4 PHCR SS TY B |
| 119 | 1 | 2203701 | PLUNGER, RAMP |
| 120 | 2 | 2203420 | SCREW #10-24 X 5/16 PFH |
| 121 | 2 | 2205105 | PAD, STOP |
| 122 | 1 | 2262632 | PIN-SPRING 1/4" X 5/8" SS |
| 123 | 1 | 2207901 | CAM, PIN SENSOR |
| 124 | 1 | 2201702 | SPACER, PIN SENSOR |
| 125 | 1 | 2042711 | SPRING-TORSION, SS |
| 126 | 1 | 9280710 | HDW SCR 1/4 - 20 X 7/8 TRUSS PHIL |
| 127 | 1 | 2203911 | RAMP-MOTOR, RIGHT, 80# |
| | | 2203910 | RAMP-MOTOR, RIGHT, 112# |
| 128 | 1 | * | HOUSING, CONNECTOR WPJ |
| 129 | 1 | * | LEADWIRE, TILT MOTOR |
| 130 | 1 | * | COVER, TILT ACTUATOR |
| 131 | 1 | * | O-RING, TILT, LARGE |
| 132 | 1 | * | MOTOR, STOW/DEPLOY |
| 133 | 1 | * | MOUNTING PLATE, TILT MOTOR |
| 134 | 1 | * | O-RING, TILT, SMALL |
| 135 | 4 | * | SCREW-M4 X 8, SS |
| 136 | 1 | * | COUPLER, STW/DPLY ACTUATOR |
| 137 | 1 | * | SPRING PIN, 5MM X 20MM |
| 138 | 1 | * | SEAL, TILT MOTOR |
| 139 | 2 | * | WASHER-THRUST, TILT MOTOR |
| 140 | 1 | * | BEARING-THRUST, TILT MOTOR |
| 141 | 1 | * | SPACER, SHAFT |
| 142 | 1 | * | SHAFT, STOW/DEPLOY, SS |
| 143 | 1 | * | COVER-NOSE, TILT ACTUATOR |
| 144 | 4 | * | SCREW-#8-18 X 5/8" PPH |
| 145 | 2 | 2205512 | DECAL, SIDEPLATE, SW |
| 146 | 1 | 2203901 | SIDEPLATE, RIGHT, WHITE |
| 147 | 1 | 2770817 | BELT-LIFT 54" |
| | | 2770818 | BELT-LIFT 60" |
| | | 2770819 | BELT-LIFT 72" |
| 172 | 4 | 3393480 | SCREW-#10 X 1.0" PPH HI-LO SS |
| 173 | 1 | 2201505 | COLLAR, BELT CLAMP |
| 174 | 2 | 2200800 | BELT-RACK, LOWER |
| 175 | 1 | 2201500 | COLLAR, CLAMP |
| 177 | 1 | 2224700 | PLUG INSERT (PILOT) |
| 178† | 1 | 2997813 | TILT MOTOR ASSY |

| ITEM | QTY | PART NUMBER | DESCRIPTION |
|------|-----|-------------|---|
| 179† | 1 | 2776506 | STEERING HOUSING ASSY 24 V, SW |
| | | 2776504 | STEERING HOUSING ASSY 36 V, SW |
| 180 | 1 | 2777392 | CTR HSG ASSY, CB, 80#, SW, W/TUBE, 54" |
| | | 2777393 | CTR HSG ASSY, CB, 80#, SW, W/TUBE, 60" |
| | | 2777394 | CTR HSG ASSY, CB, 80#, SW, W/TUBE, 54" EUROPE |
| | | 2777395 | CTR HSG ASSY, CB, 80#, SW, W/TUBE, 60" EUROPE |
| | | 2777347 | CTR HSG ASSY, CB, 112#, SW, W/TUBE, 60" |
| | | 2777348 | CTR HSG ASSY, CB, 112#, SW, W/TUBE, 72" |
| 181 | 1 | 640-133 | MOTOR WIRE, RED, 80#, 54" |
| | | 640-126 | MOTOR WIRE, RED, 80#, 60" |
| | | 640-135 | MOTOR WIRE, RED, 112#, 60" |
| | | 640-149 | MOTOR WIRE, RED, 112#, 72" |
| 182 | 1 | 640-025 | MOTOR WIRE, BLACK, 80#, 54" |
| | | 640-022 | MOTOR WIRE, BLACK, 80#, 60" |
| | | 640-045 | MOTOR WIRE, BLACK, 112#, 60" |
| | | 640-049 | MOTOR WIRE, BLACK, 112#, 72" |
| 184 | 1 | 2203800 | STRAP, EMERGENCY |
| 185 | 1 | 2994171 | REMOTE ASSY, IPILOT 1.5 |
| 187 | 1 | 2370817 | LANYARD, REMOTE W/ CARABEENER |
| 189 | 1 | 2211415 | CABLE-EXTENSION, PD/AP 110" |
| 192 | 9 | * | .187 X .125 MAGNET |
| 193 | 1 | * | GEAR/PULLEY-WORM CLUSTER ASSY |
| 194 | 1 | 2198401 | NUT, ANODE, NYLOCK, PROP, LARGE |
| 195 | 1 | 2091701 | WASHER-PROP |
| 196 | 1 | 2331160 | PROP-WW2, 80# |
| 197 | 1 | 2262658 | PIN-DRIVE 1" X 3/16" SS |
| 198 | 2 | 880-025 | SEAL |
| 199 | 1 | 725-095 | PAPER TUBE, SEAL |
| 200 | 1 | 92-300-170 | BRUSH END HSG, 80#, SW |
| 201 | 1 | 144-017 | BEARING, FLANGE |
| 202 | 2 | 830-094 | THRU BOLT 12-24 |
| 203 | 1 | 990-052 | WASHER, NYLATRON |
| 204 | 1 | 990-051 | WASHER-STEEL THRUST |
| 205 | 2 | 973-025 | SPACER, BRUSHPLATE |
| 206 | 1 | 9-738-015 | BRUSH PLATE ASSY, 4" |
| 207 | 2 | 975-041 | SPRING-TORSION |
| 208 | 2 | 186-094 | BRUSH 4" |
| 209 | 2 | 830-027 | SCREW-BRUSH PLATE 10-32 |
| 210 | 2 | 701-009 | O-RING, THRU BOLTS |
| 211 | 2 | 701-043 | O-RING, END HOUSINGS |
| 212 | 1 | 2-100-214 | ARMATURE ASSY |
| 213 | 1 | 140-010 | BEARING - BALL |
| 214 | 1 | 990-045 | SPACER, THRUST |
| 215 | 2 | 992-010 | WASHER, SPRING BELLEVILLE |
| 217 | 1 | * | PLAIN END HOUSING, ASSY |
| 220 | 1 | 2341160 | PROP-WW2, 112# |
| 221 | 1 | 92-300-155 | BRUSH END HSG, 112#, SW |
| 222 | 2 | 830-094 | THRU BOLT 12-24 |
| 223 | 1 | 2307312 | BEAD-FERRITE |
| 224 | 1 | 9-738-011 | BRUSH PLATE ASSY, 4.5" |
| 225 | 2 | 2053410 | SCREW-BRUSH PLATE, 10-32 |
| 226 | 2 | 975-045 | SPRING-TORSION |
| 227 | 2 | 188-095 | BRUSH, 4.5" LU |
| 228 | 1 | 701-103 | O-RING, BRUSH END |
| 229 | 1 | 701-098 | O-RING, PLAIN END |
| 230 | 1 | 2-100-245 | ARMATURE ASSY |
| 231 | 1 | 140-014 | BEARING - BALL |
| 232 | 2 | 992-011 | WASHER, SPRING BELLEVILLE |
| 233 | 1 | 990-011 | WASHER, SHIM |
| 234 | 1 | 421-376 | PLAIN END HOUSING, ASSY 80# SW |
| | | 421-241 | PLAIN END HOUSING, ASSY 112# SW |
| 235 | 1 | 582-013 | CLIP, RETAINING SHORT |
| 236 | 1 | 582-016 | CLIP-RETAINING, SONAR |

MINN KOTA®

WWW.NAVICOM.FR





MINN KOTA®

RIPTIDE ULTERRA

| ITEM | QTY | PART NUMBER | DESCRIPTION |
|------|-----|-------------|----------------------------------|
| 238 | 1 | 2307313 | FERRITE BEAD |
| 239 | 2 | 2305402 | SHRINK TUBE .374 ID X 2.25" LONG |
| 241 | 1 | 2203407 | SCREW, #6-32 X .5 |
| 242 | 6 | 3391732 | SEALING WASHER |
| 243 | 6 | 3394602 | FLAT WASHER #8 |
| 244† | 1 | 2997808 | TRIM HOUSING ASSEMBLY - 54" |
| | 1 | 2997804 | TRIM HOUSING ASSEMBLY - 60" |
| | 1 | 2997821 | TRIM HOUSING ASSEMBLY - 72" |

| ITEM | QTY | PART NUMBER | DESCRIPTION |
|------|-----|-------------|--------------------------------------|
| | 1 | 2997828 | TRIM HOUSING ASSEMBLY - 54" (EUROPE) |
| | 1 | 2997824 | TRIM HOUSING ASSEMBLY - 60" (EUROPE) |
| | 1 | 2997825 | TRIM HOUSING ASSEMBLY - 72" (EUROPE) |
| 245† | 1 | 2774202 | TILT BRACKET ASSEMBLY |
| 246 | 1 | 2373487 | SCREW-#8-32 X 3/4 |
| 249 | 4 | 2263453 | SCREW, 1/4-20x1" SHCS S/S |
| 250 | 1 | * | DRIVE BLOCK BRACKET |
| 251 | 4 | * | SCREW-#4-24 X 1/4" PHCR SS |

| DESCRIPTION | KIT ITEM NO. | PART NO. | ITEM NUMBER INCLUDED / QUANTITY |
|--------------------------------------|--------------|----------|--|
| TILT MOTOR ASSY | 178 | 2997813 | 128 (1), 129 (1), 130 (1), 131 (1), 132 (1), 133 (1), 134 (1), 135 (1), 136 (1), 137 (1), 138 (1), 139 (1), 140 (1), 141 (1), 142 (1), 143 (1), 144 (1) |
| OUTPUT GEAR W/ MAGNETS | | 2772200 | 31 (1), 192 (4) |
| STEERING HOUSING ASSY, 24V | 179 | 2776506 | 13 (4), 14 (2), 15 (2), 16 (4), 17 (2), 18 (4), 19 (1), 20 (1), 21 (1), 22 (1), 23 (1), 24 (2), 25 (1), 26 (2), 27 (2), 28 (2), 29 (1), 30 (2), 31 (1), 32 (1), 33 (1), 34 (1), 35 (1), 36 (1), 37 (1), 38 (1), 39 (1), 40 (1), 41 (1), 42 (1), 43 (1), 44 (1), 45 (1), 46 (7), 47 (4), 48 (2), 49 (1), 50 (3), 51 (2), 52 (1), 53 (1), 54 (1), 55 (1), 56 (2), 57 (2), 58 (2), 59 (1), 61 (1), 62 (1), 63 (1), 192 (1), 241 (1) |
| STEERING HOUSING ASSY, 36V | 179 | 2776504 | 13 (4), 14 (2), 15 (2), 16 (4), 17 (2), 18 (4), 19 (1), 20 (1), 21 (1), 22 (1), 23 (1), 24 (2), 25 (1), 26 (2), 27 (2), 28 (2), 29 (1), 30 (2), 31 (1), 32 (1), 33 (1), 34 (1), 35 (1), 36 (1), 37 (1), 38 (2), 39 (2), 40 (2), 41 (1), 42 (1), 43 (1), 44 (1), 45 (1), 46 (7), 47 (4), 48 (2), 49 (1), 50 (3), 51 (2), 52 (1), 53 (1), 54 (1), 55 (1), 56 (2), 57 (2), 58 (2), 59 (1), 61 (1), 62 (1), 63 (1), 192 (1), 241 (1) |
| CAM W/ MAGNET AND SPRING PIN | | 2777901 | 122 (1), 123 (1), 192 (1) |
| RELEASE KNOB W/ SCREW | | 2770100 | 53 (1), 54 (1), 241 (1) |
| SENSOR WIRE W/ BUTT CONNECTORS | | 2880350 | |
| MOUNTING BAG | | 2994917 | |
| TRIM HOUSING ASSEMBLY - 54" | 244 | 2997808 | 5 (2), 50 (1), 64 (1), 65 (1), 66 (1), 67 (1), 68 (1), 69 (1), 70 (1), 71 (1), 72 (1), 73 (1), 74 (2), 75 (1), 76 (1), 77 (1), 78 (1), 79 (1), 80 (1), 81 (1), 82 (1), 83 (1), 84 (1), 85 (1), 86 (1), 87 (1), 88 (1), 89 (1), 90 (1), 91 (1), 92 (1), 93 (1), 94 (1), 95 (1), 96 (10), 193 (1), 242 (1), 243 (1), 250 (1), 251 (4) |
| TRIM HOUSING ASSEMBLY - 60" | 244 | 2997804 | 5 (2), 50 (1), 64 (1), 65 (1), 66 (1), 67 (1), 68 (1), 69 (1), 70 (1), 71 (1), 72 (1), 73 (1), 74 (2), 75 (1), 76 (1), 77 (1), 78 (1), 79 (1), 80 (1), 81 (1), 82 (1), 83 (1), 84 (1), 85 (1), 86 (1), 87 (1), 88 (1), 89 (1), 90 (1), 91 (1), 92 (1), 93 (1), 94 (1), 95 (1), 96 (10), 193 (1), 242 (1), 243 (1), 250 (1), 251 (4) |
| TRIM HOUSING ASSEMBLY - 72" | 244 | 2997821 | 5 (2), 50 (1), 64 (1), 65 (1), 66 (1), 67 (1), 68 (1), 69 (1), 70 (1), 71 (1), 72 (1), 73 (1), 74 (2), 75 (1), 76 (1), 77 (1), 78 (1), 79 (1), 80 (1), 81 (1), 82 (1), 83 (1), 84 (1), 85 (1), 86 (1), 87 (1), 88 (1), 89 (1), 90 (1), 91 (1), 92 (1), 93 (1), 94 (1), 95 (1), 96 (10), 193 (1), 242 (1), 243 (1), 250 (1), 251 (4) |
| TRIM HOUSING ASSEMBLY - 54" (EUROPE) | 244 | 2997828 | 5 (2), 50 (1), 64 (1), 65 (1), 66 (1), 67 (1), 68 (1), 69 (1), 70 (1), 71 (1), 72 (1), 73 (1), 74 (2), 75 (1), 76 (1), 77 (1), 78 (1), 79 (1), 80 (1), 81 (1), 82 (1), 83 (1), 84 (1), 85 (1), 86 (1), 87 (1), 88 (1), 89 (1), 90 (1), 91 (1), 92 (1), 93 (1), 94 (1), 95 (1), 96 (10), 193 (1), 242 (1), 243 (1), 250 (1), 251 (4) |
| TRIM HOUSING ASSEMBLY - 60" (EUROPE) | 244 | 2997824 | 5 (2), 50 (1), 64 (1), 65 (1), 66 (1), 67 (1), 68 (1), 69 (1), 70 (1), 71 (1), 72 (1), 73 (1), 74 (2), 75 (1), 76 (1), 77 (1), 78 (1), 79 (1), 80 (1), 81 (1), 82 (1), 83 (1), 84 (1), 85 (1), 86 (1), 87 (1), 88 (1), 89 (1), 90 (1), 91 (1), 92 (1), 93 (1), 94 (1), 95 (1), 96 (10), 193 (1), 242 (1), 243 (1), 250 (1), 251 (4) |
| TRIM HOUSING ASSEMBLY - 72" (EUROPE) | 244 | 2997825 | 5 (2), 50 (1), 64 (1), 65 (1), 66 (1), 67 (1), 68 (1), 69 (1), 70 (1), 71 (1), 72 (1), 73 (1), 74 (2), 75 (1), 76 (1), 77 (1), 78 (1), 79 (1), 80 (1), 81 (1), 82 (1), 83 (1), 84 (1), 85 (1), 86 (1), 87 (1), 88 (1), 89 (1), 90 (1), 91 (1), 92 (1), 93 (1), 94 (1), 95 (1), 96 (10), 193 (1), 242 (1), 243 (1), 250 (1), 251 (4) |
| TILT BRACKET ASSY | 245 | 2774202 | 50 (1), 51 (1), 112 (4), 113 (1), 114 (2), 115 (1), 116 (1) |

MINN KOTA®

W W W . N A V I C O M . F R

